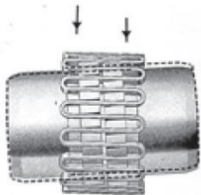
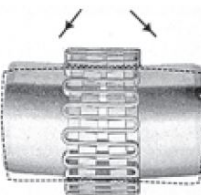


# GRID COUPLINGS



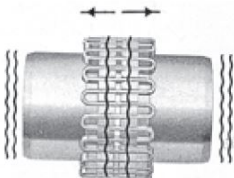
### Parallel Misalignment

The movement of the grid in the lubricated grooves accommodates parallel misalignment.



### Angular Misalignment

Under angular misalignment, the grid-groove design permits rocking and sliding action of the lubricated grid and hubs without any loss of power through the resilient grid.



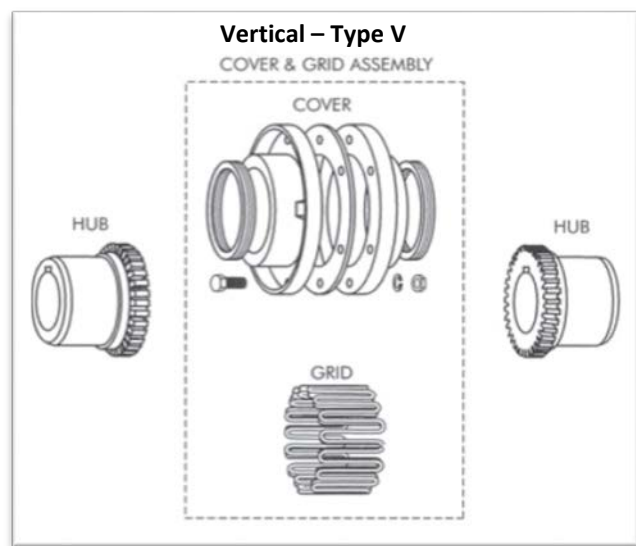
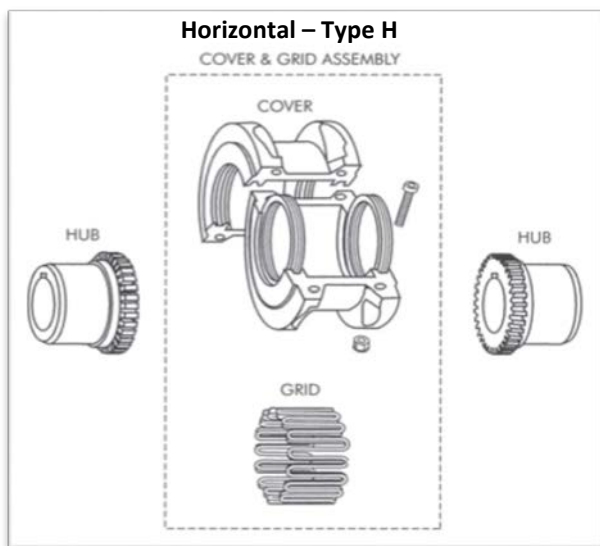
### End Float

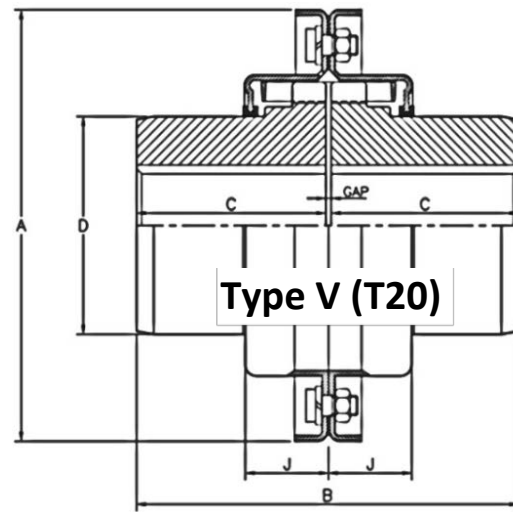
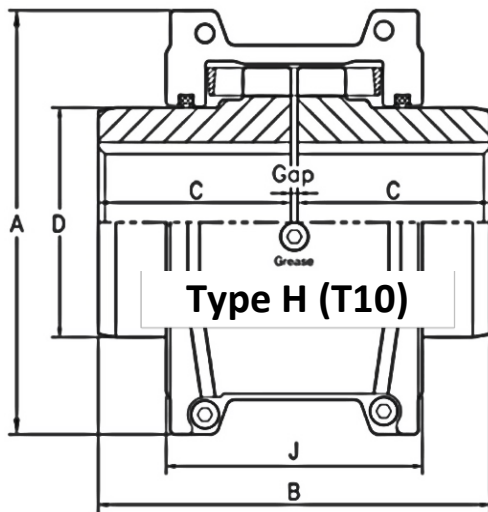
Unrestrained end float of driving and driven members is permitted because the grid slides freely in the lubricated grooves.

### Torsional Flexibility

Torsional flexibility of Taper Grid Couplings can dampen vibration and shock by 30% or more.

Interchangeable with industry standard grid couplings!





### Type H (Horizontal Split - T10)

Size	Torque Rating (lbs-in)	Allow Speed (rpm)	Max Bore (in)	Min Bore (in)	Coupling Weight No Bore (lbs)	Lube Weight (lbs)	Dimensions (in)					
							A	B	C	D	J	Gap
1020	460	4,500	1.0625	0.5000	4	0.06	3.82	3.87	1.87	1.56	2.63	0.12
1030	1,319	4,500	1.3750	0.5000	6	0.09	4.16	3.87	1.87	1.94	2.69	0.12
1040	2,204	4,500	1.6875	0.5000	7	0.12	4.50	4.12	2.00	2.25	2.75	0.12
1050	3,850	4,500	1.9375	0.5000	12	0.15	5.32	4.87	2.37	2.63	3.19	0.12
1060	6,054	4,350	2.1875	0.7500	16	0.19	5.82	5.12	2.50	3.00	3.68	0.12
1070	8,798	4,125	2.6250	0.7500	23	0.25	6.25	6.12	3.00	3.44	3.81	0.12
1080	18,144	3,600	3.1250	1.0625	39	0.38	7.50	7.12	3.50	4.13	4.55	0.12
1090	33,013	3,600	3.6875	1.0625	56	0.56	8.31	7.87	3.87	4.87	4.81	0.12
1100	55,583	2,440	4.3125	1.6250	93	0.94	9.88	9.69	4.75	5.59	6.12	0.20
1110	82,489	2,250	4.6875	1.6250	120	1.12	10.62	10.20	5.00	6.31	6.36	0.20
1120	121,255	2,025	5.5000	2.3750	179	1.62	12.12	11.98	5.87	7.06	7.54	0.24
1130	176,130	1,800	6.6875	2.6250	267	2.00	13.62	12.98	6.37	8.56	7.68	0.24
1140	253,131	1,650	7.8125	2.6250	392	2.49	15.12	14.74	7.25	10.00	7.92	0.24
1150	352,260	1,500	8.4375	4.2500	516	4.30	17.84	14.64	7.20	10.60	10.69	0.24

### Type V (Vertical Split - T20)

Size	Torque Rating (lbs-in)	Allow Speed (rpm)	Max Bore (in)	Min Bore (in)	Coupling Weight No Bore (lbs)	Lube Weight (lbs)	Dimensions (in)					
							A	B	C	D	J	Gap
1020	460	6,000	1.0625	0.5000	4	0.06	4.42	3.87	1.87	1.56	0.94	0.12
1030	1,319	6,000	1.3750	0.5000	6	0.09	4.80	3.87	1.87	1.94	0.98	0.12
1040	2,204	6,000	1.6875	0.5000	7	0.12	5.11	4.12	2.00	2.25	1.02	0.12
1050	3,850	6,000	1.9375	0.5000	12	0.15	5.86	4.87	2.37	2.63	1.20	0.12
1060	6,054	6,000	2.1875	0.7500	15	0.19	6.42	5.12	2.50	3.00	1.25	0.12
1070	8,798	5,500	2.6250	0.7500	22	0.25	6.86	6.12	3.00	3.44	1.32	0.12
1080	18,144	4,750	3.1250	1.0625	39	0.38	7.92	7.12	3.50	4.13	1.72	0.12
1090	33,013	4,000	3.6875	1.0625	56	0.56	9.17	7.87	3.87	4.87	1.85	0.12
1100	55,583	3,250	4.3125	1.6250	93	0.94	10.55	9.69	4.75	5.59	2.35	0.20
1110	82,489	3,000	4.6875	1.6250	120	1.12	11.30	10.20	5.00	6.31	2.47	0.20
1120	121,255	2,700	5.5000	2.3750	180	1.62	12.61	11.98	5.87	7.06	2.90	0.24
1130	176,130	2,400	6.6875	2.6250	269	2.00	14.92	12.98	6.37	8.56	2.95	0.24
1140	253,131	2,200	7.8125	2.6250	397	2.49	16.42	14.74	7.25	10.00	3.08	0.24
1150	352,260	2,000	8.4375	4.2500	507	4.30	18.75	14.64	7.20	10.60	4.22	0.24

\* Larger sizes available upon request

#### Stocking Warehouse Location

19579 Progress Drive - Suite A Strongsville, Ohio 44149

Phone: (440) 234-6200 • Fax: (440) 234-1200 • Email: sales@drivecomponentsllc.com